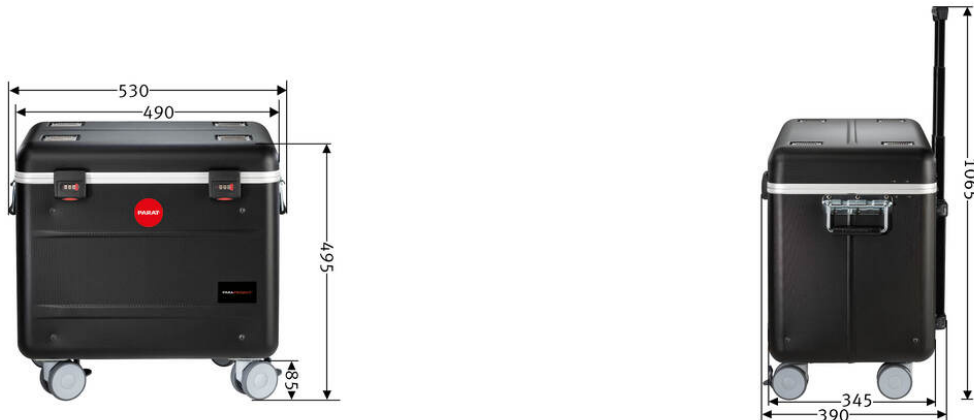


PARAPROJECT®

Case C10

charging , transport , storage



Part denomination	PARAPROJECT Case C10 Charge Only, 15.6", black
Part number	208.630-151
GTIN /EAN	4006793898912
Field of application	Education , Health Care
Certificates	CE / REACH / RoHS
Applicable standards	DIN EN 60950-1 / DIN EN 55022 / DIN EN 55035
Scope of delivery	<ul style="list-style-type: none"> - PARAPROJECT® Case C10 - device connection cable, EU, length: 5 m - 5 y-adapter with 2 IBM sockets (C5, 3-pin) - 5 y-adapter with 2 Euro-8 sockets (C7, 2-pin) - user guide
Materials	<ul style="list-style-type: none"> - aluminium - Con-Pearl® - X-ABS plastic
Transport	4-fold telescopic handle / 2 carrying handles / combination lock / 4 smooth-running castors ø 75 mm (with 2 lockable castors)
External dimensions (WxDxH)	530 mm x 390 mm x 495 mm
Weight	10000 g
Transport dimensions	540 mm x 400 mm x 530 mm
Dimensions of euro-palettts	1200 mm x 800 mm x 1740 mm
Number of euro-pallet	6
customs tariff number	42021250
Country of origin	RO

PARAPROJECT®

Case C10

charging , transport , storage

Fittings	<ul style="list-style-type: none"> - Interior technical equipment: - 10 storage compartment (W x D x H: 35/25 (zig-zag arrangement) x 255 x 350 mm) for tablets or laptops - storage compartment for accessories such as access point, router and/or Apple TV - 10 rubber loops for original power supply units - 2 Schuko sockets for e.g. master laptop or access point - Case lid: - napped foam - air vents in the lid and bottom tray - External technical equipment: - central power supply with protective cap - on/off-switch - 4-fold telescopic handle - 2 carrying handles - combination lock - 4 smooth-running castors \varnothing 75 mm (with 2 lockable castors)
Compatible devices	All tablets or laptops up to 15,6" that can be charged with their own power supply unit , ultrabook
Max. number of devices	10
Operating system	Chrome OS / macOS / Windows
Cable types for equipment	y-adapter with 2 IBM sockets (C5, 3-pin) ; y-adapter with 2 Euro-8 sockets (C7, 2-pin)
Power supply	use of customer's own power supply units
Output power per port	max. 2,5 A
Optional accessories	<ul style="list-style-type: none"> - y-adapter with 2 Euro flat sockets - external weekly timer
Lock types	combination lock
Connections	<ul style="list-style-type: none"> - outside: - central power supply with protective cap - main switch - inside: - 5 IBM sockets (C5, 3-pin) - 5 y-adapter with 2 IBM sockets (C5, 3-pin) - 5 y-adapter with 2 Euro-8 sockets (C7, 2-pin) - 2 Schuko sockets
Data of currents	<ul style="list-style-type: none"> - 100 - 240 V - max. 8 A - 50/60 Hz
Dimension of pockets	35 / 25 (Zick-Zack Anordnung der Fächer) x 255 x 350 mm (+ 40 mm zusätzliche Höhe dank Kofferdeckel)
Color	black

product image similar / information without content / subject to errors and changes / all dimensions in mm

PARAPROJECT®

Case C10

charging , transport , storage



- storage compartment for power units



- central power supply with protective cap